

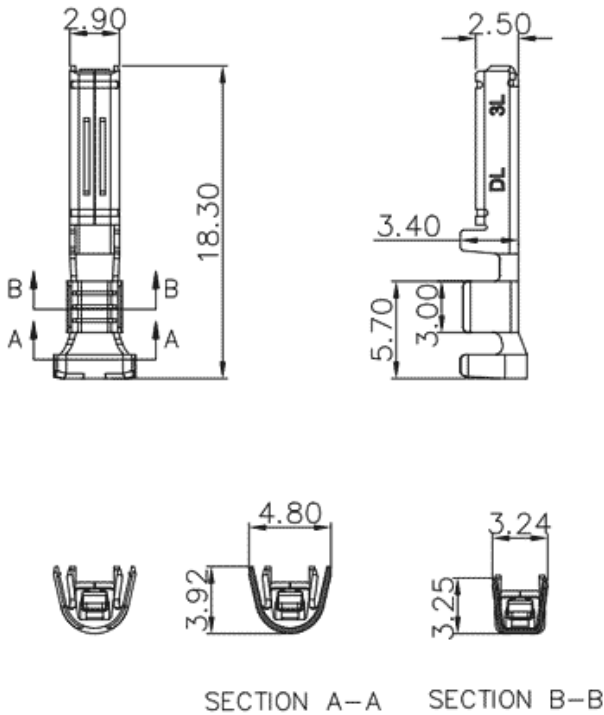


Product Type: Direct crimp connectors

Product Name:DL508H30F-03-2200

Product Description: Crosssection:1.25-2.2mm²/16-14AWG Ratedcurrent:8A CE

Product Size



Parameters

| | |
|-------------------------|-------------------|
| ☞ SUPU ID | DL508H30F-03-2200 |
| ☞ Pitch | - |
| ☞ Number of levels | - |
| ☞ Number of connections | - |

| | |
|-------------------------------|---------------|
| ☞ Connection method | Cold pressing |
| ☞ Protection Level | IP20 |
| ☞ Operating temperature range | -40~+105°C |
| ☞ Insulation material | - |
| ☞ Insulation material group | - |
| ☞ Contact material | Copper alloy |
| ☞ Contact plating | Sn,Plated |

Technical data

| | |
|---|-------------------------|
| ☞ IEC Rated Current | 8A |
| ☞ IEC Rated Voltage | - |
| ☞ Overvoltage category | III/III/II |
| ☞ Degree of pollution | - |
| ☞ Rated impulse voltage | - |
| ☞ UL Rated Current | 8A |
| ☞ UL Rated Voltage | - |
| ☞ Conductor cross section rigid | - |
| ☞ Conductor cross section flexible | 1.25-2.2mm ² |
| ☞ Conductor cross section flexible,with ferrule | - |
| ☞ Locking screw Specification | - |
| ☞ Locking screw torque | - |
| ☞ Fixed Screw Specification | - |
| ☞ 固定螺钉扭矩 | - |
| ☞ Stripping length | 4-5mm |

☞ Use group

-

☞ Rated cross section

16-14AWG

Commercial data

☞ Order No

DL508H30F-03-2200

Ningbo SUPU Electronics Co., Ltd.

Address: No. 150, Xinxing 4th Road, High-tech Industrial Development Zone,
Cixi City, Zhejiang Province, China

Zip code: 315303

Switchboard: +86 574-63288158

Fax: +86 574-63288170

E-mail:supucontact@supu.cn

Service Hotline: 400-626-6336



Wechat

Date:2026-04-25 19:14

The right to modify data belongs to SUPU.