

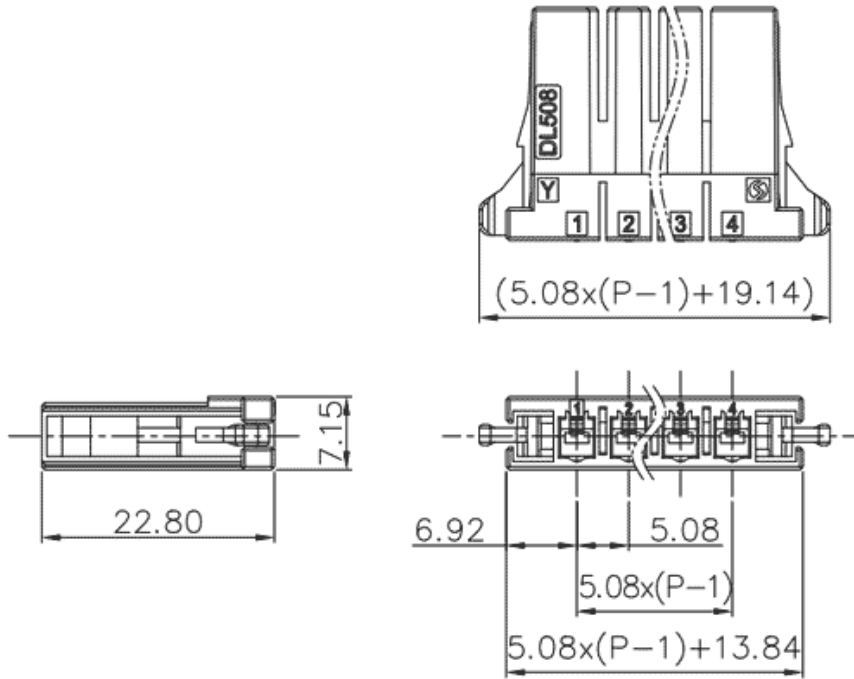
Product Type: Direct crimp connectors

Product Name:DL508H1XXM-  
BK-0Y10

Product Description: Pitch:5.08mm

RatedVoltage : 600V Single-level CE

## Product Size



## Parameters

|                         |                    |
|-------------------------|--------------------|
| ☞ SUPU ID               | DL508H1XXM-BK-0Y10 |
| ☞ Pitch                 | 5.08               |
| ☞ Number of levels      | Single layer       |
| ☞ Number of connections | XX                 |

|                               |               |
|-------------------------------|---------------|
| ☞ Connection method           | Cold pressing |
| ☞ Protection Level            | IP20          |
| ☞ Operating temperature range | -40~+105°C    |
| ☞ Insulation material         | PBT           |
| ☞ Insulation material group   | II            |
| ☞ Contact material            | -             |
| ☞ Contact plating             | -             |

## Technical data

|   |             |
|---|-------------|
| ☞ IEC Rated Current                             | -           |
| ☞ IEC Rated Voltage                             | 320V        |
| ☞ Overvoltage category                          | III/III/ II |
| ☞ Degree of pollution                           | 3 2 2       |
| ☞ Rated impulse voltage                         | 4KV 4KV 4KV |
| ☞ UL Rated Current                              | -           |
| ☞ UL Rated Voltage                              | 600V        |
| ☞ Conductor cross section rigid                 | -           |
| ☞ Conductor cross section flexible              | -           |
| ☞ Conductor cross section flexible,with ferrule | -           |
| ☞ Locking screw Specification                   | -           |
| ☞ Locking screw torque                          | -           |
| ☞ Fixed Screw Specification                     | -           |
| ☞ 固定螺钉扭矩  | -           |
| ☞ Stripping length                              | -           |

☞ Use group -

☞ Rated cross section -

## Commercial data

☞ Order No

DL508H1XXM-BK-0Y10

### Ningbo SUPU Electronics Co., Ltd.

Address: No. 150, Xinxing 4th Road, High-tech Industrial Development Zone,  
Cixi City, Zhejiang Province, China

Zip code: 315303

Switchboard: +86 574-63288158

Fax: +86 574-63288170

E-mail:supucontact@supu.cn

Service Hotline: 400-626-6336



Wechat

Date:2026-04-27 18:20

The right to modify data belongs to SUPU.