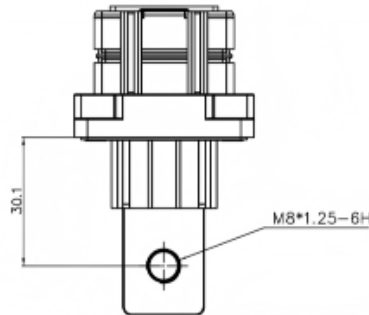
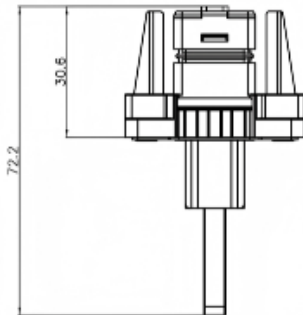
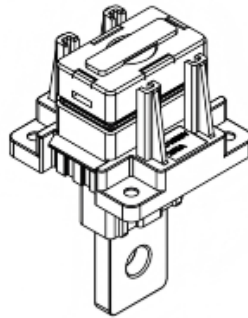
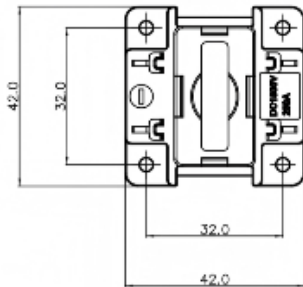


Product Type: Quick plug connector

Product Name:ESF-RS250A20BB2Q

Product Description: Connectors suitable for energy storage modules: Color: Black Wire cross-section: 70mm² Rated voltage: 1500V DC Rated current: 250A (70mm²) Connection method: screw Contact type: Spring

Product Size



Parameters

⌘ SUPU ID

ESF-RS250A20BB2Q

⌘ Connection method

Screw thread

⌘ Protection Level

IP67

| | |
|-------------------------------|--------------|
| ☞ Operating temperature range | -40°C~125°C |
| ☞ Insulation material | PA |
| ☞ Insulation material group | III |
| ☞ Contact material | Copper alloy |
| ☞ Contact plating | Ag,Plated |
| ☞ Insertion/withdrawal cycles | 100 |
| ☞ Insertion force | ≤75N |
| ☞ Withdrawal force | ≥10N |

Technical data

| | |
|----------------------------|-----------------------------|
| ☞ Rated Voltage | 1500V |
| ☞ Overvoltage category | III |
| ☞ Degree of pollution | 3 |
| ☞ Rated impulse voltage | 12.3KV |
| ☞ Rated cross section | 70mm ² (AWG2/0) |
| ☞ Rated cross section(AWG) | AWG2/0 |

Commercial data

| | |
|---------------------------------------|------------------|
| ☞ Order No | ESF-RS250A20BB2Q |
| ☞ Packing unit | PCS |
| ☞ Minimum order quantity | 1 |
| ☞ Weight per unit (without packaging) | 0.089KG |
| ☞ Single piece weight | 0.087KG |

Ningbo SUPU Electronics Co., Ltd.

Address: No. 150, Xinxing 4th Road, High-tech Industrial Development Zone,
Cixi City, Zhejiang Province, China

Zip code: 315303

Switchboard: +86 574-63288158

Fax: +86 574-63288170

E-mail:supucontact@supu.cn

Service Hotline: 400-626-6336



Wechat