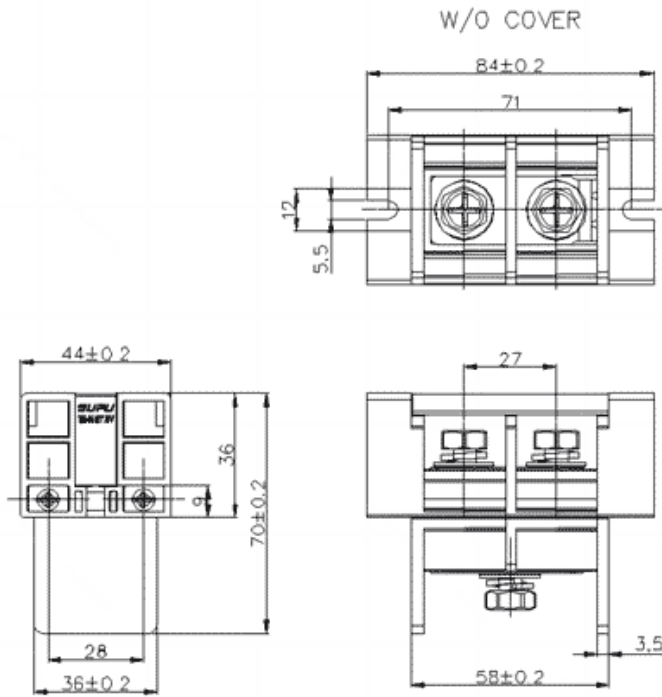


Product Type: Barrier terminal

Product Name:TB-K-27.0V02C-  
RD-002

Product Description: pitch : 27.0mm, rated voltage UL600V, rated current UL180A, color: red, Rated cross section 10-2/0AWG

## Product Size



## Parameters

SUPU ID	TB-K-27.0V02C-002
Pitch	27
Number of levels	single layer
Number of connections	2

☞ Connection method	Screw connection
☞ Protection Level	IP20
☞ Operating temperature range	-30°C ~+120°C
☞ Insulation material	PBT+GF
☞ Insulation material group	III
☞ Contact material	Copper alloy
☞ Contact plating	Sn plated

## Commercial data

☞ Order No	TB-K-27.0V02C-002
------------	-------------------

### Ningbo SUPU Electronics Co., Ltd.

Address: No. 150, Xinxing 4th Road, High-tech Industrial Development Zone,  
Cixi City, Zhejiang Province, China

Zip code: 315303

Switchboard: +86 574-63288158

Fax: +86 574-63288170

E-mail:supucontact@supu.cn

Service Hotline: 400-626-6336



Wechat

