

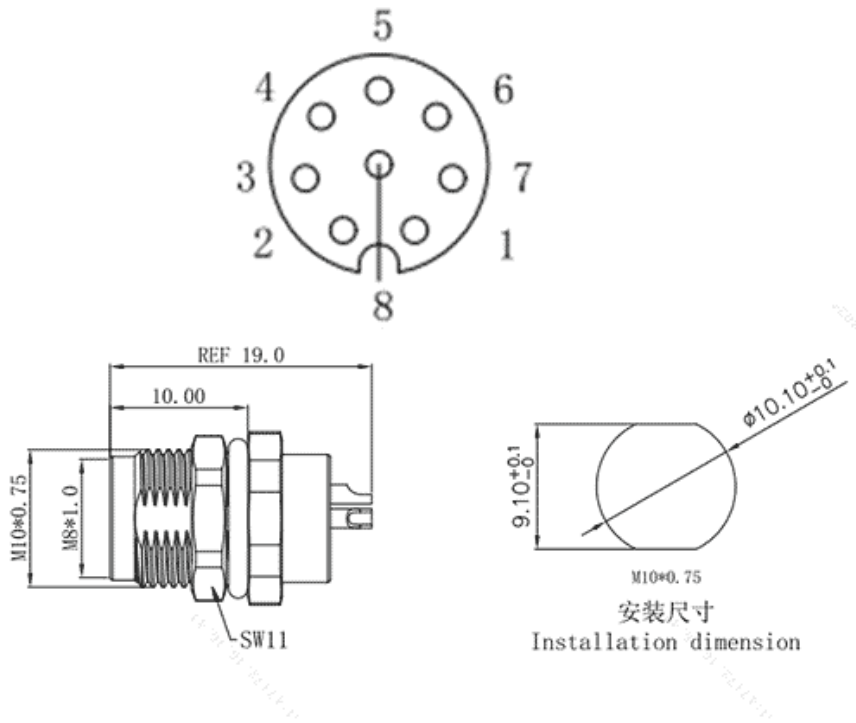


Product Type: M8 Panel Mounting Connector

Product Name: M8A08C-FPSRHUC

Product Description: M12A panel female 8-core welded type, board mounted, M8\*0.75

Product Size



Parameters

|                               |           |
|-------------------------------|-----------|
| ☞ SUPU ID                     | M8        |
| ☞ Number of connections       | 8         |
| ☞ Protection Level            | IP67      |
| ☞ Operating temperature range | -40~+85°C |

|                        |                |
|------------------------|----------------|
| ☞ Mounting Type        | Rear Mounting  |
| ☞ Color                | Black          |
| ☞ Core number          | 8              |
| ☞ Thread type          | M8X0.75        |
| ☞ Category             | Female         |
| ☞ Product type         | A              |
| ☞ Coding               | A              |
| ☞ Connection method    | Cup Port       |
| ☞ Mechanical endurance | 100            |
| ☞ Standards            | IEC61076-2-104 |

## Technical data

|                            |                 |
|----------------------------|-----------------|
| ☞ IEC Rated Current        | 1.5A            |
| ☞ IEC Rated Voltage        | 30 VAC / 30 VDC |
| ☞ Degree of pollution      | 3               |
| ☞ Insulation Resistance    | ≥100MΩ          |
| ☞ Contact resistance       | <10mΩ           |
| ☞ Contact/surface material | CuSn/Ni/Au      |
| ☞ Contact carrier material | PA              |
| ☞ Screw/nut material       | CuZn            |
| ☞ Sealing material         | NBR             |
| ☞ Cable length             | /               |
| ☞ 导线材料                     | /               |

## Commercial data

☞ Order No

M8A08C-FPSRHUC

☞ Packing unit

PCS

☞ Minimum order quantity

1

## Ningbo SUPU Electronics Co., Ltd.

Address: No. 150, Xinxing 4th Road, High-tech Industrial Development Zone,

Cixi City, Zhejiang Province, China

Zip code: 315303

Switchboard: +86 574-63288158

Fax: +86 574-63288170

E-mail:supucontact@supu.cn

Service Hotline: 400-626-6336



Wechat

---

Date:2026-04-27 20:01

The right to modify data belongs to SUPU.