

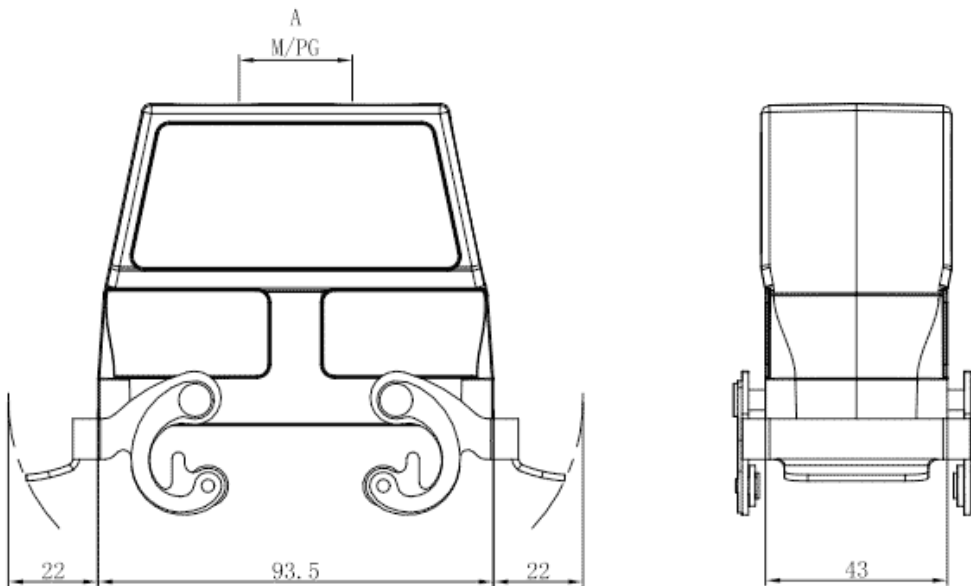


Product Type: Heavy-duty Connector Housing

Product Name:S16B-TEH-2L.M-PG29

Product Description: S16B Hoods,metal,top entry,high construction,2 levers,PG29 thread

Product Size



Parameters

| | |
|---|--------------------|
| <input checked="" type="checkbox"/> SUPU ID | S16B-TEH-2L.M-PG29 |
| <input checked="" type="checkbox"/> Protection Level | IP65 |
| <input checked="" type="checkbox"/> Operating temperature range | -40°C~+125°C |
| <input checked="" type="checkbox"/> Color | Grey |

| | |
|---|---------|
| <input type="checkbox"/> Thread type | PG29 |
| <input type="checkbox"/> Category | Housing |
| <input type="checkbox"/> Mechanical endurance | ≥500 |

Technical data

| | |
|---|-------------------|
| <input type="checkbox"/> Sealing material | NBR |
| <input type="checkbox"/> Housing Material | Die-Cast Aluminum |

Commercial data

| | |
|---|--------------------|
| <input type="checkbox"/> Order No | S16B-TEH-2L.M-PG29 |
| <input type="checkbox"/> Packing unit | PCS |
| <input type="checkbox"/> Minimum order quantity | 1 |

Ningbo SUPU Electronics Co., Ltd.

Address: No. 150, Xinxing 4th Road, High-tech Industrial Development Zone,

Cixi City, Zhejiang Province, China

Zip code: 315303

Switchboard: +86 574-63288158

Fax: +86 574-63288170

E-mail: supucontact@supu.cn

Service Hotline: 400-626-6336



Wechat

Date:2026-05-04 17:20

The right to modify data belongs to SUPU.