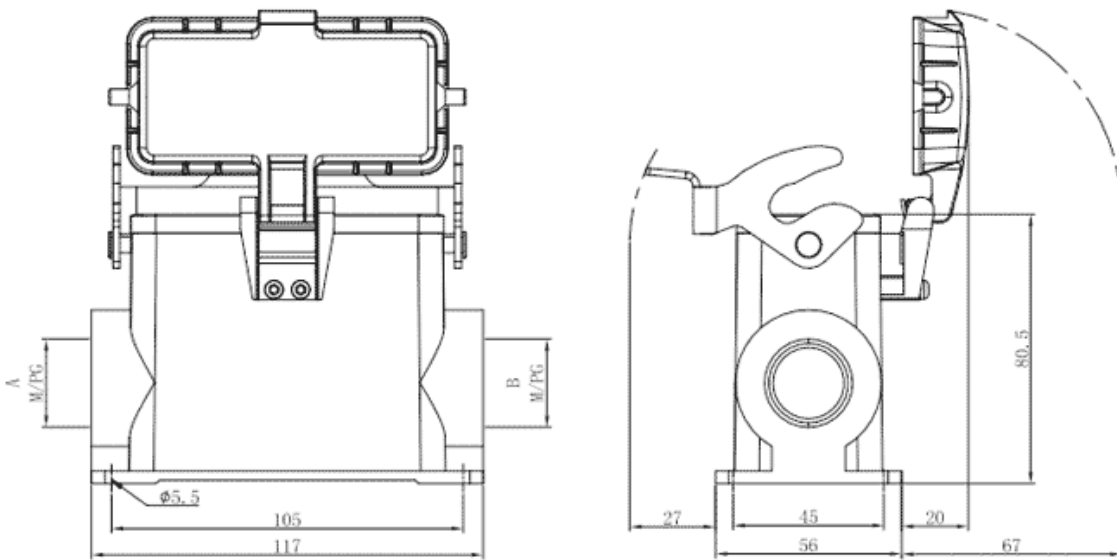




Product Type: Heavy-duty Connector Housing  
 Product Name: S16B-SMH-1L.M-M32-MC

Product Description: S16B Housings, metal, 1 levers, surface mounting, high construction, M32 thread, metal cover

Product Size



Parameters

SUPU ID	S16B-SMH-1L.M-M32-MC
Protection Level	IP65
Operating temperature range	-40°C~+125°C
Color	Grey

☞ Thread type	M32
☞ Category	Base
☞ Mechanical endurance	≥500

## Technical data

☞ Sealing material	NBR
☞ Housing Material	Die-Cast Aluminum

## Commercial data

☞ Order No	S16B-SMH-1L.M-M32-MC
☞ Packing unit	PCS
☞ Minimum order quantity	1

### Ningbo SUPU Electronics Co., Ltd.

Address: No. 150, Xinxing 4th Road, High-tech Industrial Development Zone,

Cixi City, Zhejiang Province, China

Zip code: 315303

Switchboard: +86 574-63288158

Fax: +86 574-63288170

E-mail: [supucontact@supu.cn](mailto:supucontact@supu.cn)

Service Hotline: 400-626-6336



Wechat

---

Date:2026-05-06 09:13

The right to modify data belongs to SUPU.