

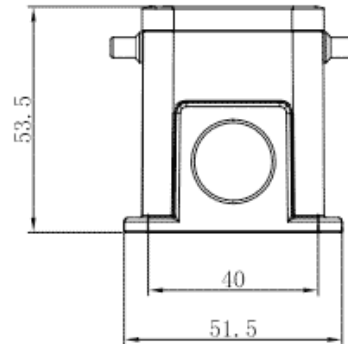
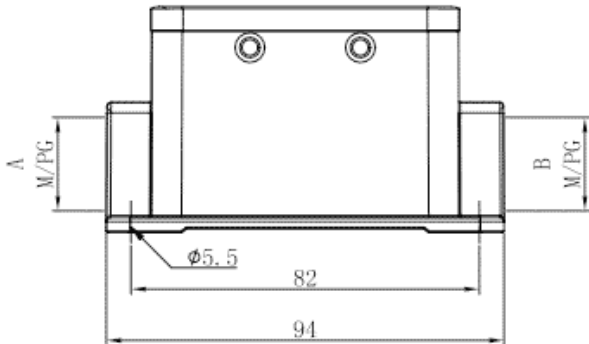


Product Type: Heavy-duty Connector Housing

Product Name:S10B-SM-4B-  
2M20

Product Description: S10B Housings,metal,4  
blots,surface mounting,2xM20 thread

## Product Size



## Parameters

|   |                 |
|---|-----------------|
| <input checked="" type="checkbox"/> SUPU ID                     | S10B-SM-4B-2M20 |
| <input checked="" type="checkbox"/> Protection Level            | IP65            |
| <input checked="" type="checkbox"/> Operating temperature range | -40°C~+125°C    |
| <input checked="" type="checkbox"/> Color                       | Grey            |

|   |      |
|---|------|
| <input type="checkbox"/> Thread type          | M20  |
| <input type="checkbox"/> Category             | Base |
| <input type="checkbox"/> Mechanical endurance | ≥500 |

### Technical data

|   |                   |
|---|-------------------|
| <input type="checkbox"/> Sealing material | NBR               |
| <input type="checkbox"/> Housing Material | Die-Cast Aluminum |

### Commercial data

|   |                 |
|---|-----------------|
| <input type="checkbox"/> Order No               | S10B-SM-4B-2M20 |
| <input type="checkbox"/> Packing unit           | PCS             |
| <input type="checkbox"/> Minimum order quantity | 1               |

## Ningbo SUPU Electronics Co., Ltd.

Address: No. 150, Xinxing 4th Road, High-tech Industrial Development Zone,

Cixi City, Zhejiang Province, China

Zip code: 315303

Switchboard: +86 574-63288158

Fax: +86 574-63288170

E-mail: [supucontact@supu.cn](mailto:supucontact@supu.cn)

Service Hotline: 400-626-6336



Wechat

---

Date:2026-05-04 15:54

The right to modify data belongs to SUPU.