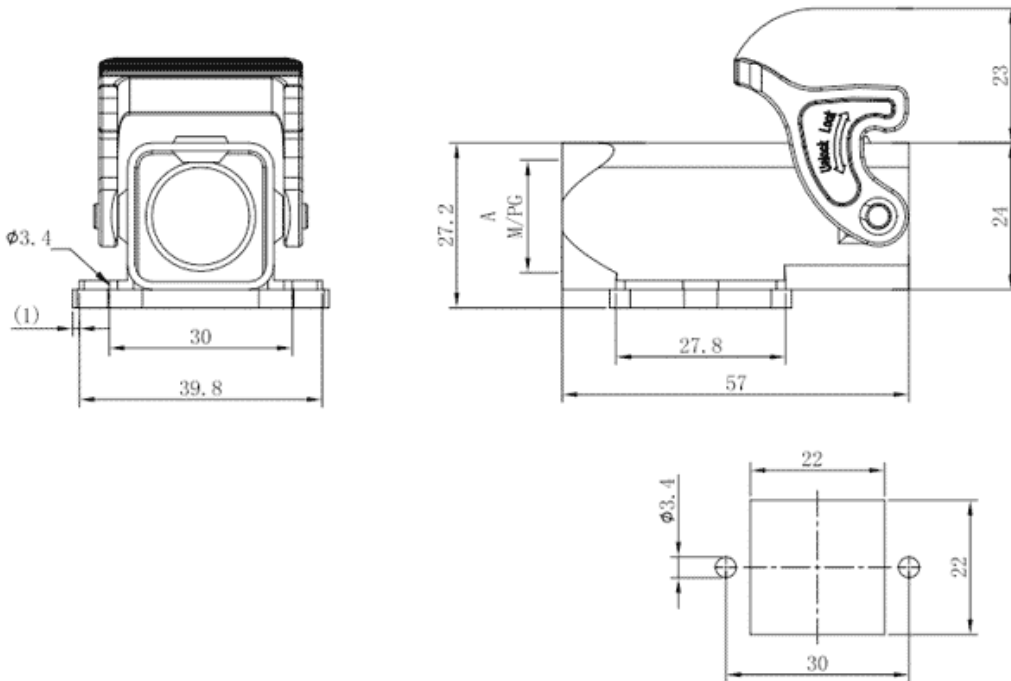


Product Type: Heavy-duty Connector Housing

## Product Name:S3A.P-SF-1L-PG11

Product Description: S3A.P Housings,plastic,1 levers,surface mounting,PG11 thread

### Product Size



### Parameters

<input checked="" type="checkbox"/> SUPU ID	S3A.P-SF-1L-PG11
<input checked="" type="checkbox"/> Protection Level	IP65
<input checked="" type="checkbox"/> Operating temperature range	-40°C~+125°C
<input checked="" type="checkbox"/> Color	Grey

<input type="checkbox"/> Thread type	PG11
<input type="checkbox"/> Category	Base
<input type="checkbox"/> Mechanical endurance	≥500

### Technical data

<input type="checkbox"/> Sealing material	NBR
<input type="checkbox"/> Housing Material	PC

### Commercial data

<input type="checkbox"/> Order No	S3A.P-SF-1L-PG11
<input type="checkbox"/> Packing unit	PCS
<input type="checkbox"/> Minimum order quantity	1

## Ningbo SUPU Electronics Co., Ltd.

Address: No. 150, Xinxing 4th Road, High-tech Industrial Development Zone,

Cixi City, Zhejiang Province, China

Zip code: 315303

Switchboard: +86 574-63288158

Fax: +86 574-63288170

E-mail: [supucontact@supu.cn](mailto:supucontact@supu.cn)

Service Hotline: 400-626-6336



Wechat

---

Date:2026-05-04 17:25

The right to modify data belongs to SUPU.