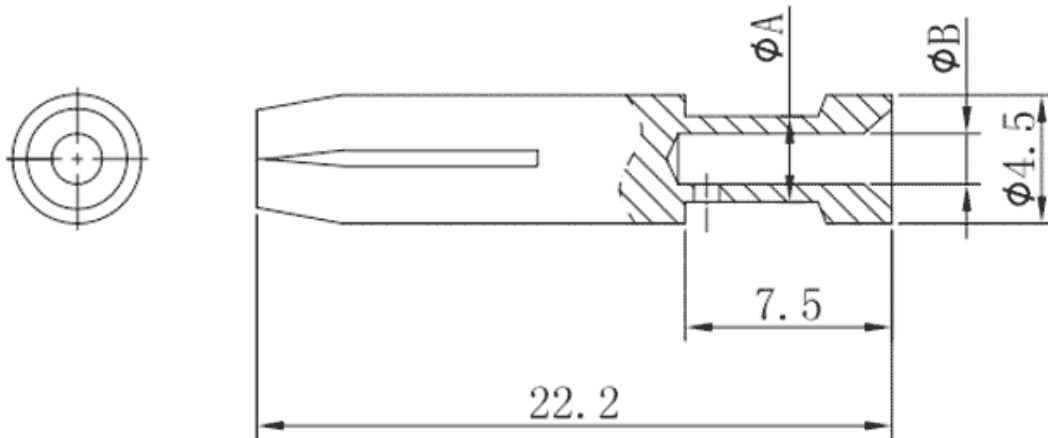


Product Type: Heavy-duty connector pins

## Product Name:SCSF-016-0.75

Product Description: 16A silver plated,Female,compatible with 0.75mm<sup>2</sup>

### Product Size



### Parameters

|   |                                  |
|---|----------------------------------|
| <input checked="" type="checkbox"/> SUPU ID                     | SCSF-016-0.75                    |
| <input checked="" type="checkbox"/> Operating temperature range | -40°C~+125°C                     |
| <input checked="" type="checkbox"/> Category                    | cold-pressed pin female terminal |
| <input checked="" type="checkbox"/> Connection method           | Crimp terminal                   |

|  |      |
|--|------|
| <input checked="" type="checkbox"/> Mechanical endurance | ≥500 |
|--|------|

## Technical data

|   |     |
|---|-----|
| <input checked="" type="checkbox"/> IEC Rated Current | 16A |
|---|-----|

|  |                    |
|--|--------------------|
| <input checked="" type="checkbox"/> Contact/surface material | Hard-silver Plated |
|--|--------------------|

|  |              |
|--|--------------|
| <input checked="" type="checkbox"/> Pin Material | Copper Alloy |
|--|--------------|

|  |      |
|--|------|
| <input checked="" type="checkbox"/> Contact resistance | ≤1mΩ |
|--|------|

|  |                            |
|--|----------------------------|
| <input checked="" type="checkbox"/> Wire Specification | 0.75mm <sup>2</sup> /18AWG |
|--|----------------------------|

## Commercial data

|  |               |
|--|---------------|
| <input checked="" type="checkbox"/> Order No | SCSF-016-0.75 |
|--|---------------|

|  |     |
|--|-----|
| <input checked="" type="checkbox"/> Packing unit | PCS |
|--|-----|

|  |   |
|--|---|
| <input checked="" type="checkbox"/> Minimum order quantity | 1 |
|--|---|

## Ningbo SUPU Electronics Co., Ltd.

Address: No. 150, Xinxing 4th Road, High-tech Industrial Development Zone,  
Cixi City, Zhejiang Province, China

Zip code: 315303

Switchboard: +86 574-63288158

Fax: +86 574-63288170

E-mail:supucontact@supu.cn

Service Hotline: 400-626-6336



Wechat

---

Date:2026-05-04 15:19

The right to modify data belongs to SUPU.