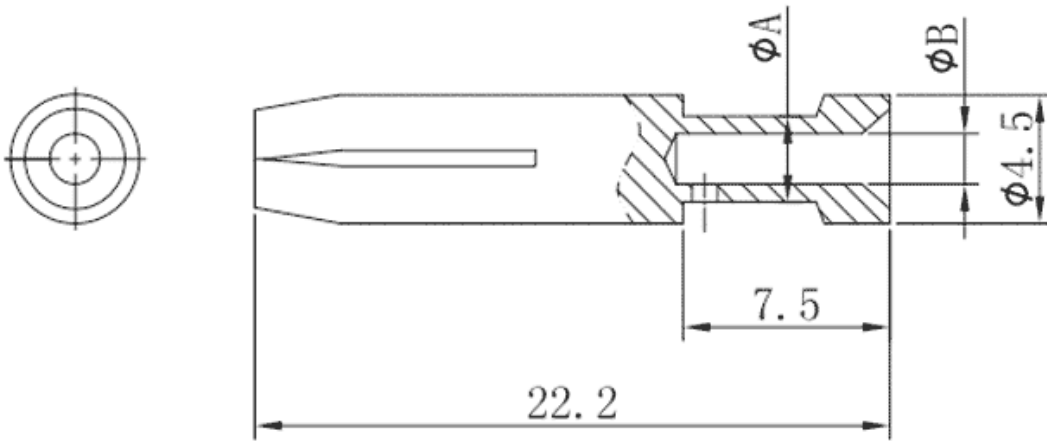


Product Type: Heavy-duty connector pins

Product Name:SCSF-016-0.37

Product Description: 16A silver plated,Female,compatible with 0.37mm²

Product Size



Parameters

| | |
|-------------------------------|----------------------------------|
| ⌘ SUPU ID | SCSF-016-0.37 |
| ⌘ Operating temperature range | -40°C~+125°C |
| ⌘ Category | cold-pressed pin female terminal |
| ⌘ Connection method | Crimp terminal |

☞ Mechanical endurance

≥500

Technical data

☞ IEC Rated Current

16A

☞ Contact/surface material

Hard-silver Plated

☞ Pin Material

Copper Alloy

☞ Contact resistance

≤1mΩ

☞ Wire Specification

0.14-0.37mm²/26-22AWG

Commercial data

☞ Order No

SCSF-016-0.37

☞ Packing unit

PCS

☞ Minimum order quantity

1

Ningbo SUPU Electronics Co., Ltd.

Address: No. 150, Xinxing 4th Road, High-tech Industrial Development Zone,
Cixi City, Zhejiang Province, China

Zip code: 315303

Switchboard: +86 574-63288158

Fax: +86 574-63288170

E-mail:supucontact@supu.cn

Service Hotline: 400-626-6336



Wechat

Date:2026-05-06 09:07

The right to modify data belongs to SUPU.