

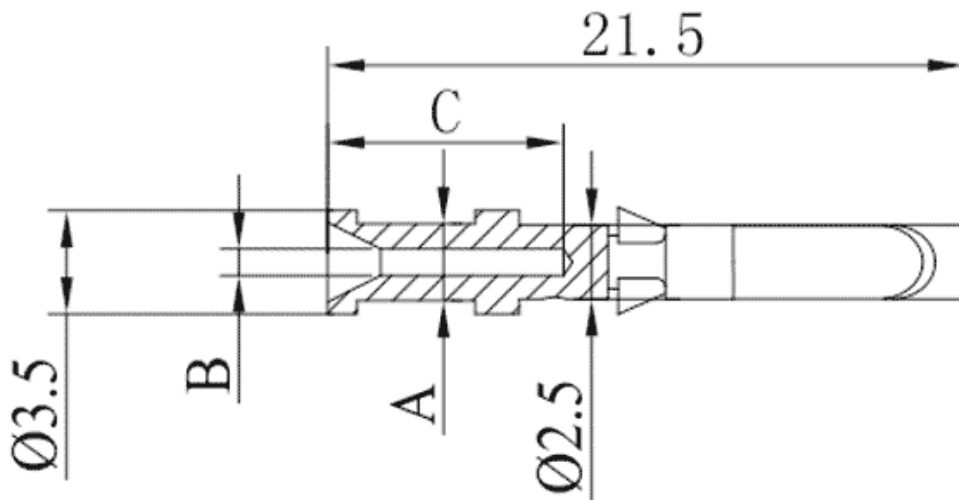


Product Type: Heavy-duty connector pins

Product Name:SCSF-010-1

Product Description: 10A silver plated,Female,compatible with 1.0mm²

Product Size



Parameters

| | |
|---|----------------------------------|
| <input checked="" type="checkbox"/> SUPU ID | SCSF-010-1 |
| <input checked="" type="checkbox"/> Operating temperature range | -40°C~+125°C |
| <input checked="" type="checkbox"/> Category | cold-pressed pin female terminal |
| <input checked="" type="checkbox"/> Connection method | Crimp terminal |

| | |
|--|------|
| <input checked="" type="checkbox"/> Mechanical endurance | ≥500 |
|--|------|

Technical data

| | |
|---|-----|
| <input checked="" type="checkbox"/> IEC Rated Current | 10A |
|---|-----|

| | |
|--|--------------------|
| <input checked="" type="checkbox"/> Contact/surface material | Hard-silver Plated |
|--|--------------------|

| | |
|--|--------------|
| <input checked="" type="checkbox"/> Pin Material | Copper Alloy |
|--|--------------|

| | |
|--|------|
| <input checked="" type="checkbox"/> Contact resistance | ≤3mΩ |
|--|------|

| | |
|--|-------------------------|
| <input checked="" type="checkbox"/> Wire Specification | 1mm ² /18AWG |
|--|-------------------------|

Commercial data

| | |
|--|------------|
| <input checked="" type="checkbox"/> Order No | SCSF-010-1 |
|--|------------|

| | |
|--|-----|
| <input checked="" type="checkbox"/> Packing unit | PCS |
|--|-----|

| | |
|--|---|
| <input checked="" type="checkbox"/> Minimum order quantity | 1 |
|--|---|

Ningbo SUPU Electronics Co., Ltd.

Address: No. 150, Xinxing 4th Road, High-tech Industrial Development Zone,
Cixi City, Zhejiang Province, China

Zip code: 315303

Switchboard: +86 574-63288158

Fax: +86 574-63288170

E-mail:supucontact@supu.cn

Service Hotline: 400-626-6336



Wechat

Date:2026-05-04 15:22

The right to modify data belongs to SUPU.