

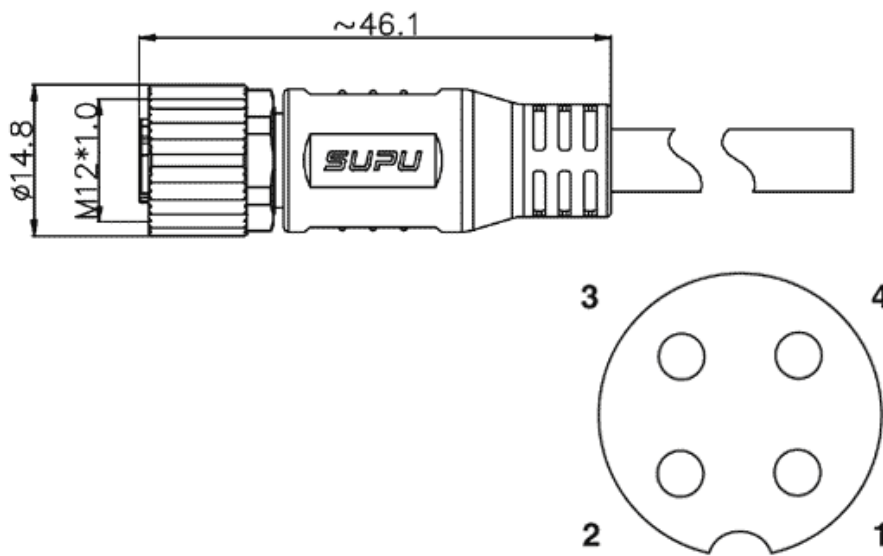


Product Type: M12 Moulded Connector

Product Name: M12A04Z-FMSST-UC001B

Product Description: M12 A-code, 4 pole female straight connector, unshielded, with one meter black PUR cable with 1 meter black PVC cable

Product Size



Parameters

⌘ SUPU ID	M12
⌘ Number of connections	4
⌘ Protection Level	IP67
⌘ Thread type	M12X1.0

☞ Category	Female
☞ Product type	Moulded,straight
☞ Coding	A
☞ Connection method	预铸成型式
☞ Shielded	NO
☞ Mechanical endurance	≥100
☞ Standards	IEC61076-2-101

Technical data

☞ IEC Rated Current	4A
☞ IEC Rated Voltage	250V DC
☞ Insulation Resistance	≥100MΩ
☞ Contact resistance	<10mΩ
☞ Contact/surface material	CuSn/Ni/Au
☞ Contact carrier material	TPU
☞ Screw/nut material	Zinc
☞ Sealing material	NBR
☞ Cable length	1
☞ Outer sheath, material	PVC
☞ External sheath, color	Black

Commercial data

☞ Order No	M12A04Z-FMSST-UC001B
☞ Packing unit	PCS

Ningbo SUPU Electronics Co., Ltd.

Address: No. 150, Xinxing 4th Road, High-tech Industrial Development Zone,

Cixi City, Zhejiang Province, China

Zip code: 315303

Switchboard: +86 574-63288158

Fax: +86 574-63288170

E-mail:supucontact@supu.cn

Service Hotline: 400-626-6336



Wechat