

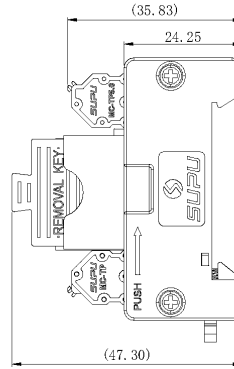
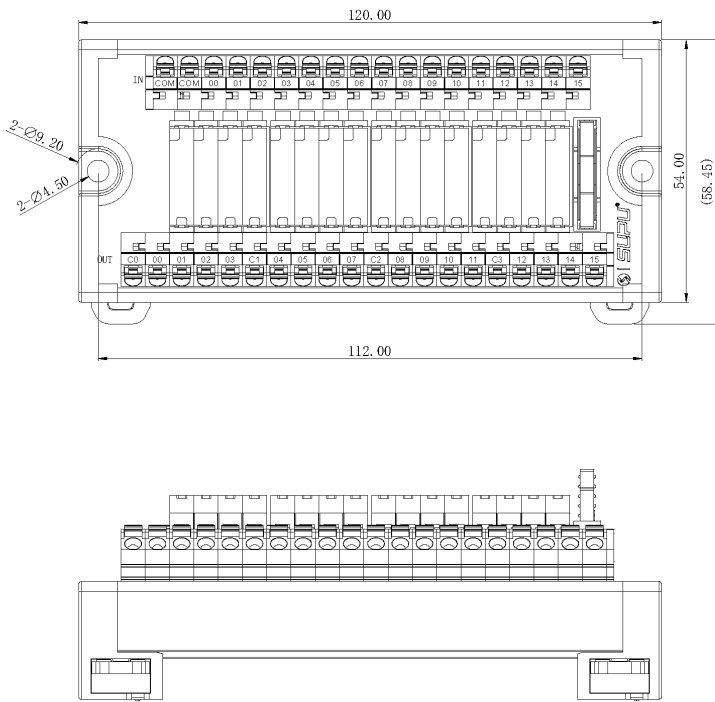


Product Type: Relay module

Product Name: X1S-16PP-1AU

Product Description: 50mm base small relay, 16C-DTP/TP terminal input and output, 1 set of normally open contacts, high and low level switching input.

Product Size



Parameters

⌘ SUPU ID	X1S-16PP-1AU
⌘ Number of connections	16
⌘ Protection Level	IP20

☞ Operating temperature range	-20°C-+70°C
-------------------------------	-------------

☞ Mounting Type	DIN rail mounting/screw mounting
-----------------	----------------------------------

Technical data

☞ Overvoltage category	II
------------------------	----

☞ Degree of pollution	2
-----------------------	---

☞ Stripping length	9-10mm
--------------------	--------

☞ Cable cross section (AWG)	500VAC/1min
-----------------------------	-------------

☞ Insulation Resistance	500MΩ
-------------------------	-------

☞ Wire Range	28-16AWG
--------------	----------

☞ Coil Current	4.6mA
----------------	-------

☞ Load Current	5A
----------------	----

☞ Coil Voltage	24V DC
----------------	--------

Commercial data

☞ Order No	X1S-16PP-1AU
------------	--------------

☞ Packing unit	PCS
----------------	-----

☞ Minimum order quantity	5
--------------------------	---

Ningbo SUPU Electronics Co., Ltd.

Address: No. 150, Xinxing 4th Road, High-tech Industrial Development Zone,

Cixi City, Zhejiang Province, China

Zip code: 315303

Switchboard: +86 574-63288158

Fax: +86 574-63288170

E-mail:supucontact@supu.cn

Ningbo SUPU Electronics Co., Ltd.

Service Hotline: 400-626-6336



Wechat

Date:2026-06-17 10:03

The right to modify data belongs to SUPU.